

ITEM NO.	PART NUMBER	DESCRIPTION	QTY.
1	10M703 REV A	TD Table Leg Weldment	2
3	10M708 REV B	Back Plate	1
4	10M711 REV B	Table Top	1
5	10M712 REV A	Foot Rail Assembly	1
11	91249A537	B.O.S.S. 1/4"-20 x 1/2" PH Phillips	10

REVISIONS			
REV.	DESCRIPTION	COMPLETED BY	DATE

D

D

Aluminum Strip Goes toward the front of the table (underside)

Screws go through Angle Bracket into the table leg

C

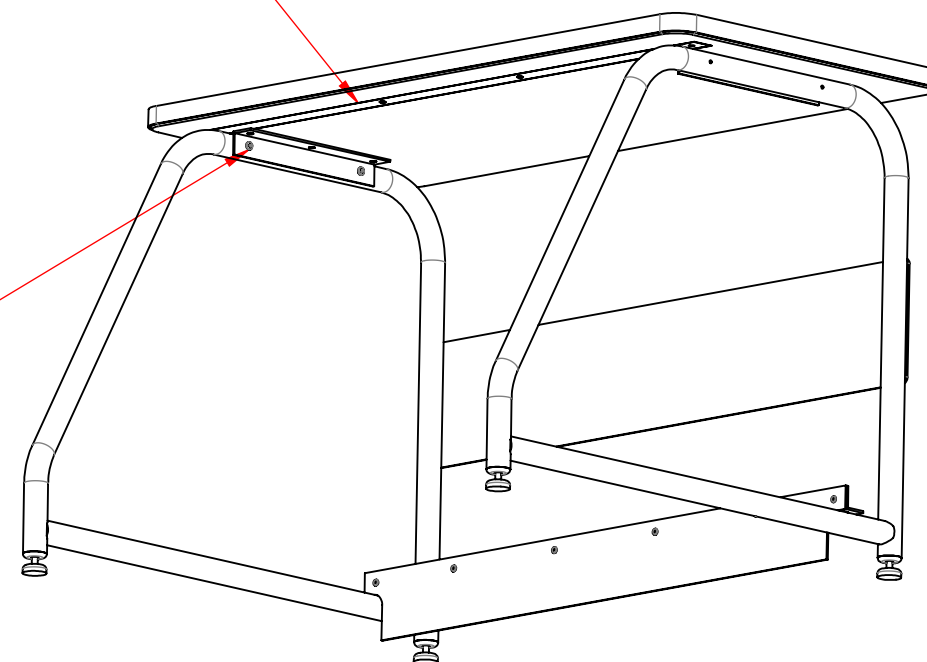
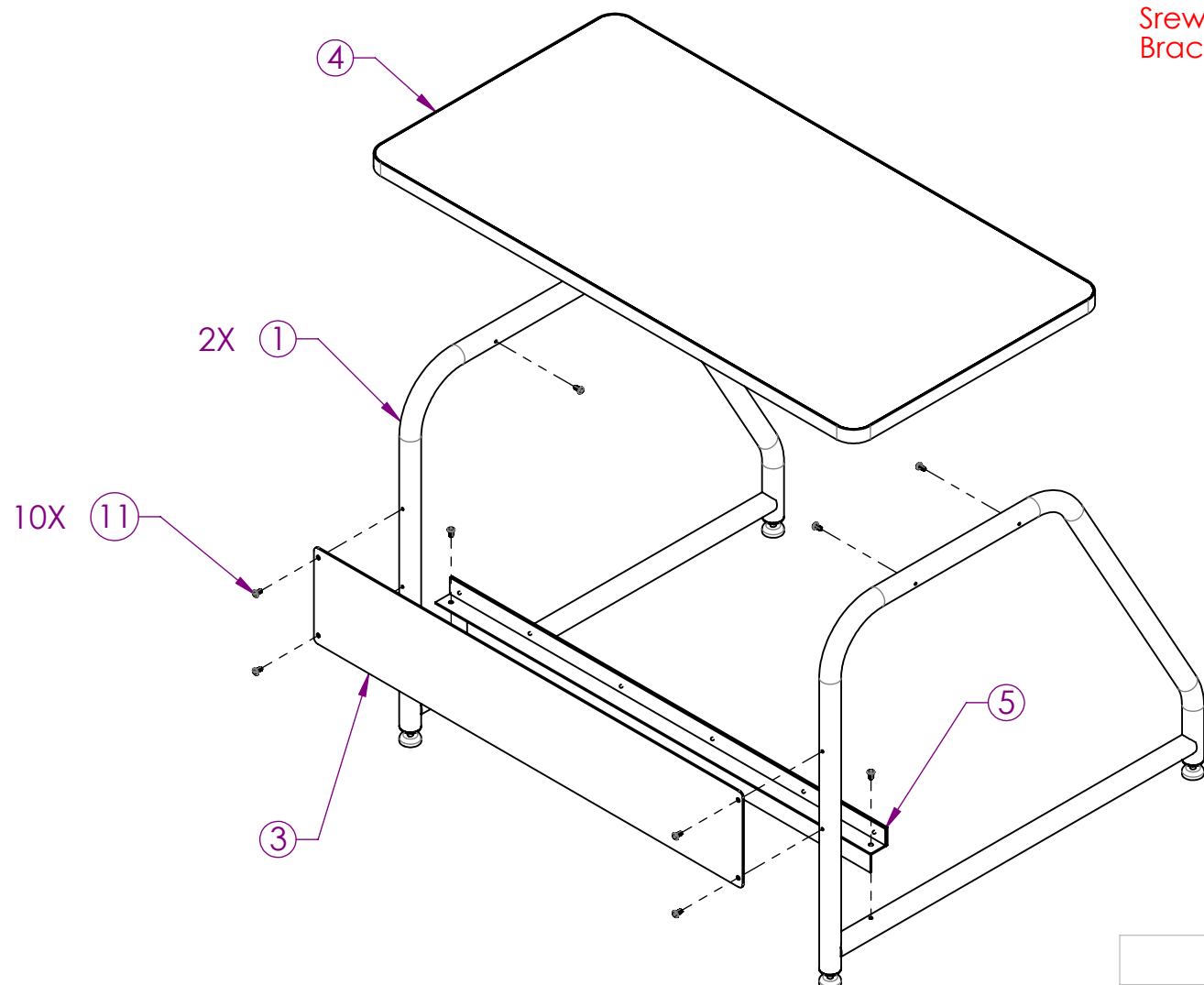
C


B

B

A

A



MATERIAL: See Parts List		PROJECT: TD Table		 2301 E. ST. ELMO RD. SUITE 100 AUSTIN, TX 78744	
FINISH: -		DRAWN: SBC CHECKED: - MFG APPR.: -	9/1/17	TITLE: Packing - Bill Of Materials	
NEXT ASSY QUANTITY: 1		UNLESS OTHERWISE SPECIFIED DIMENSIONS ARE IN INCHES; INTERPRET DRAWING PER ANSI Y14.5 1994		SIZE: B DWG. NO.: 10M700	REV: -
APPLICATION		TOLERANCES: $\angle \pm .5^\circ$ X.X $\pm .03</math> X.XX \pm .01</math> X.XXX \pm .005</math> $		SCALE: 1:12	SHEET 1 OF 1

8

7

6

5

4

3

2

1