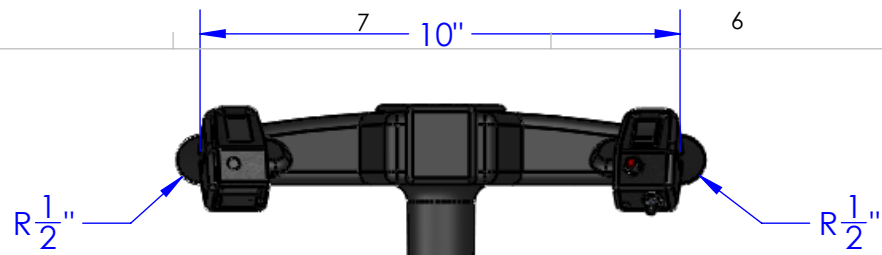
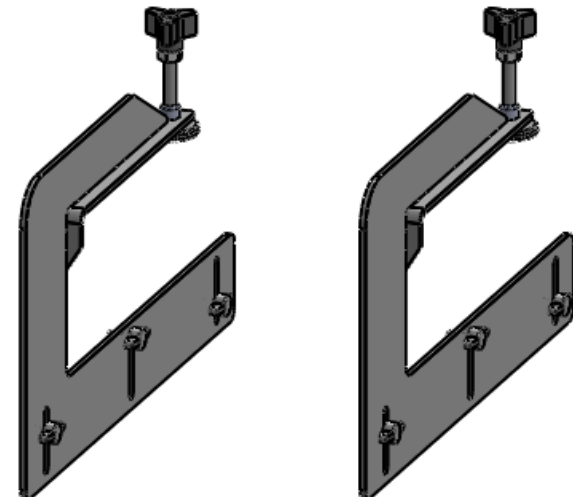


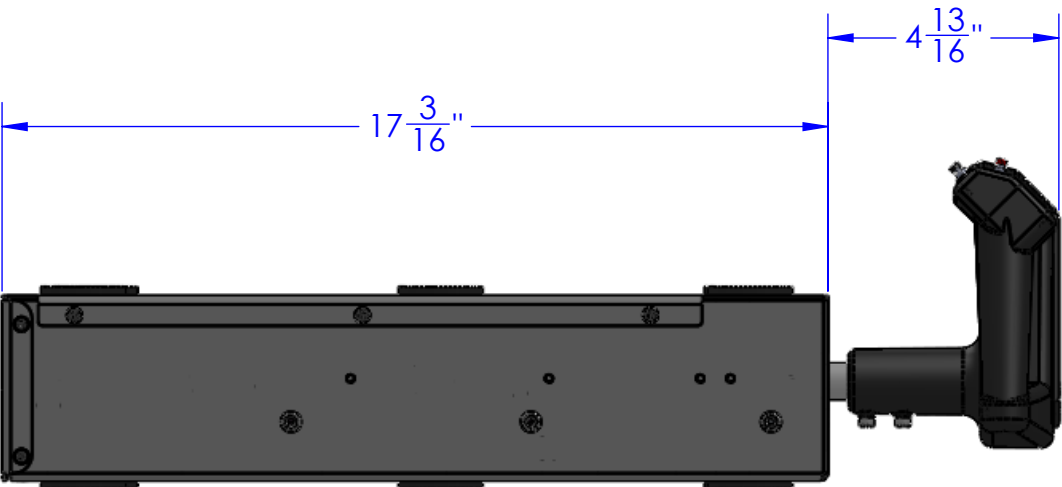
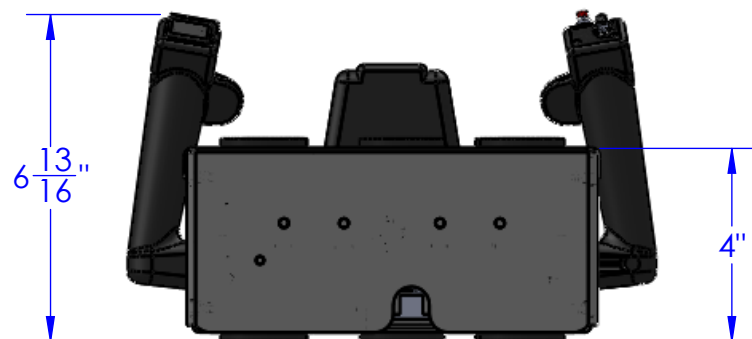
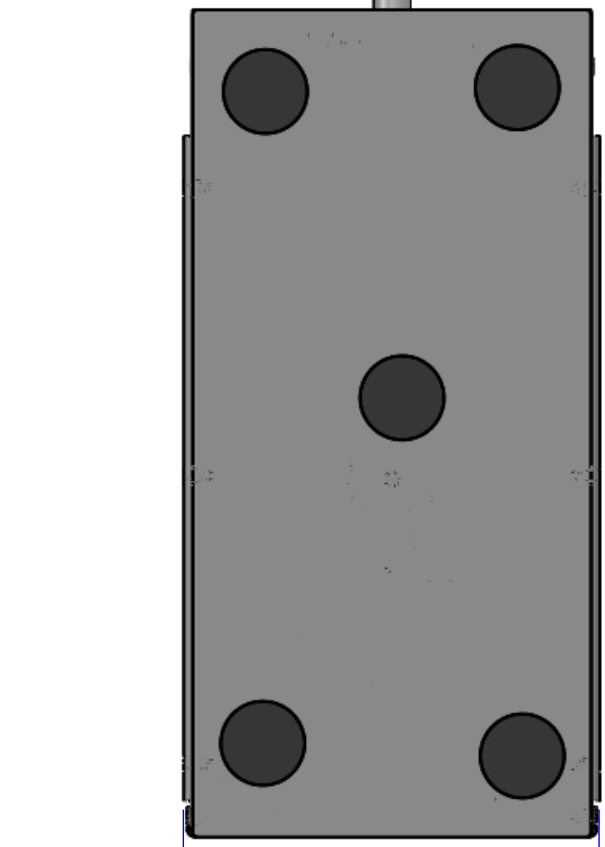
REVISIONS			
REV.	DESCRIPTION	COMPLETED BY	DATE




Alloy YK1 Outer Dimensions



2 Mounting Brackets included



MATERIAL:		Alloy		PROJECT:		 8313 W. HIGHWAY 71 SUITE 100 AUSTIN, TX 78735				
FINISH:		-		DRAWN	XXXX	XXXX	TITLE: Alloy Outer Dimensions			
NEXT ASSY		1		CHECKED	-	-				
APPLICATION		QUANTITY		MFG APPR.	-	-				
PROPRIETARY AND CONFIDENTIAL THE INFORMATION CONTAINED IN THIS DRAWING IS THE SOLE PROPERTY OF REDBIRD FLIGHT SIMULATIONS, INC. ANY REPRODUCTION IN PART OR AS A WHOLE WITHOUT THE WRITTEN PERMISSION OF REDBIRD FLIGHT SIMULATIONS, INC. IS PROHIBITED.				UNLESS OTHERWISE SPECIFIED DIMENSIONS ARE IN INCHES; INTERPRET DRAWING PER ANSI Y14.5 1994				SIZE B	DWG. NO. XXXX	REV -
				TOLERANCES: $\angle \pm .5^{\circ}$ X.X $\pm .03</math> X.XX \pm .01</math> X.XXX \pm .005</math> $		SCALE: 1:4				