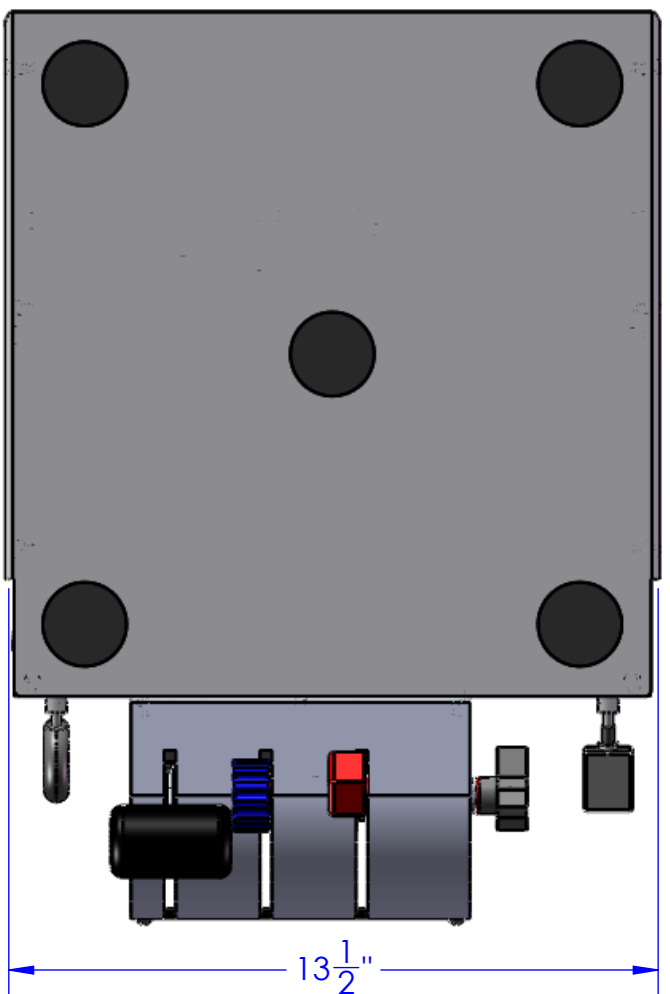


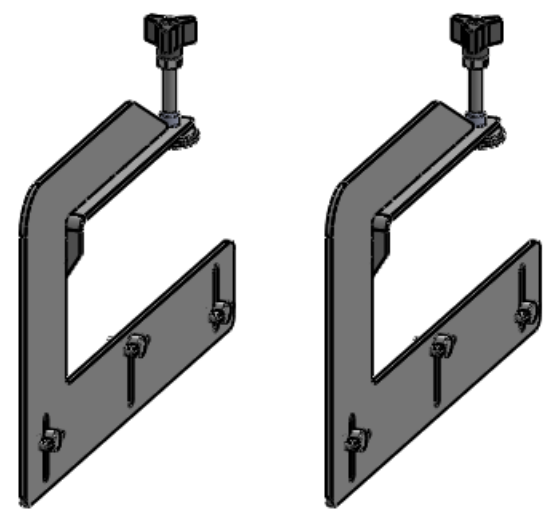
8 7 6 5 4 3 2 1

D
C
B
A

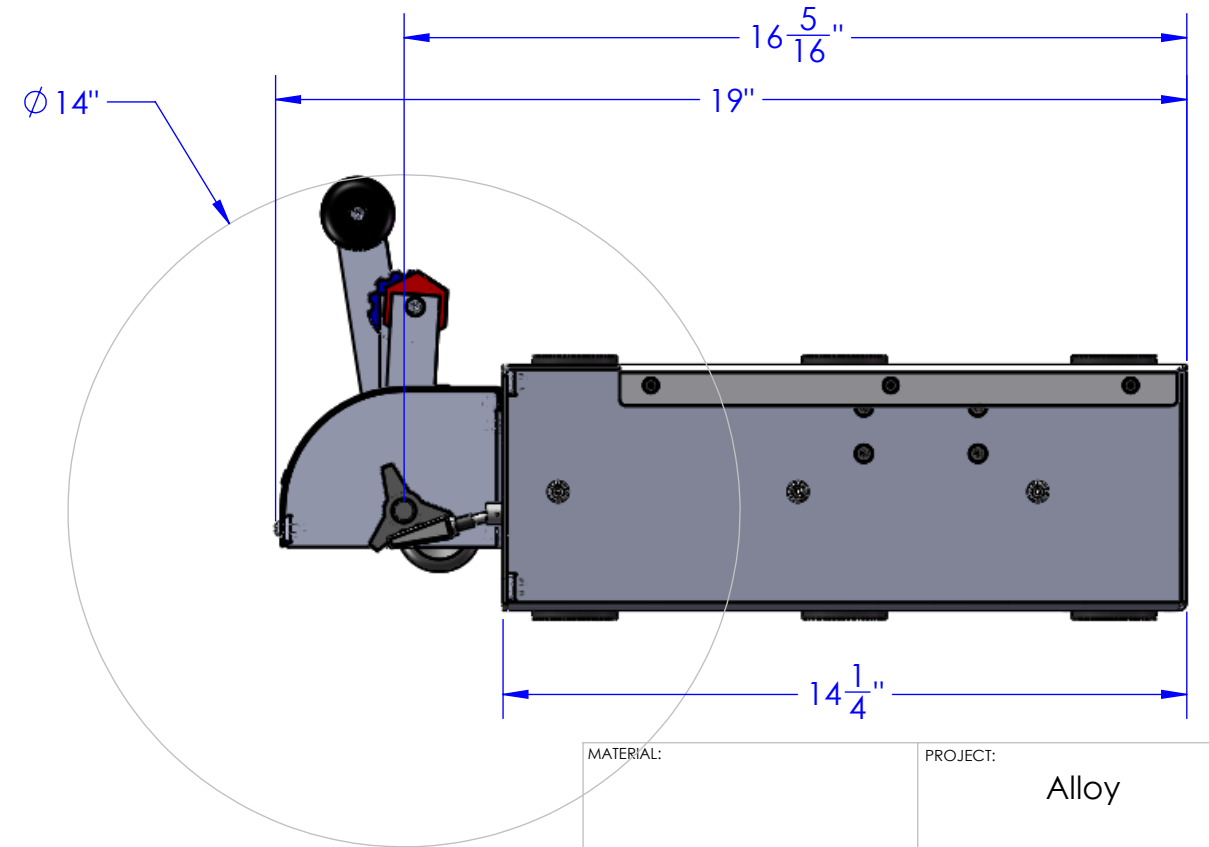
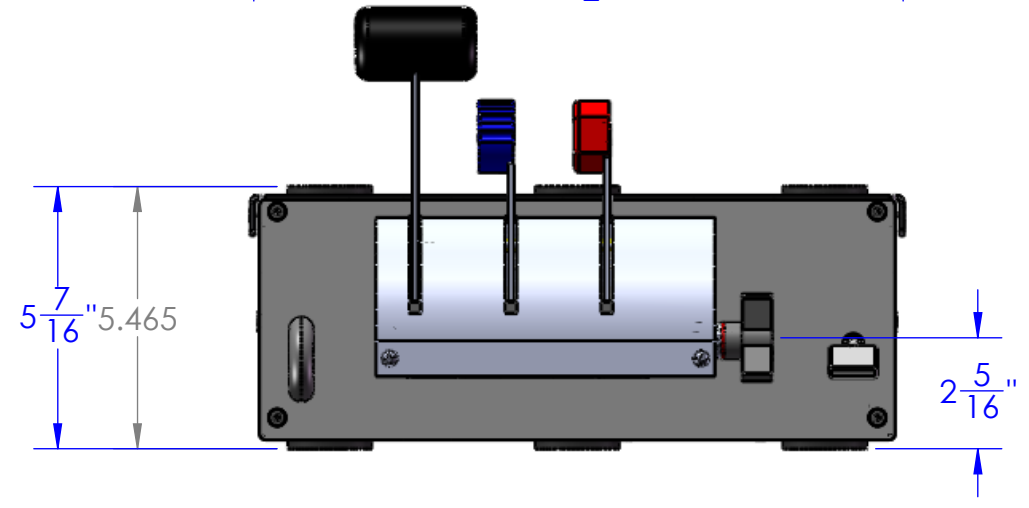
D
C
B
A





Alloy TH3 Outer Dimensions



2 Mounting Brackets included



MATERIAL:	PROJECT: Alloy			 2301 E. ST. ELMO RD. SUITE 100 AUSTIN, TX 78744
FINISH:	DRAWN	XXXX	XXXX	
	CHECKED	-		
	MFG APPR.	-		TITLE: Alloy Outer Dimensions
PROPRIETARY AND CONFIDENTIAL THE INFORMATION CONTAINED IN THIS DRAWING IS THE SOLE PROPERTY OF REDBIRD FLIGHT SIMULATIONS, INC. ANY REPRODUCTION IN PART OR AS A WHOLE WITHOUT THE WRITTEN PERMISSION OF REDBIRD FLIGHT SIMULATIONS, INC. IS PROHIBITED.	UNLESS OTHERWISE SPECIFIED DIMENSIONS ARE IN INCHES; INTERPRET DRAWING PER ANSI Y14.5 1994			SIZE B DWG. NO. XXXX REV -
	TOLERANCES: $\angle \pm .5^{\circ}$ X.X $\pm .03$ X.XX $\pm .01$ X.XXX $\pm .005$			SCALE: 1:4 SHEET 4 OF 5
				

8 7 6 5 4 3 2 1