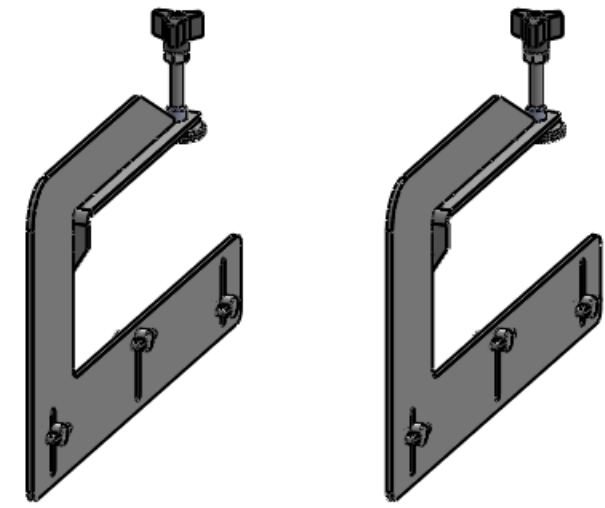
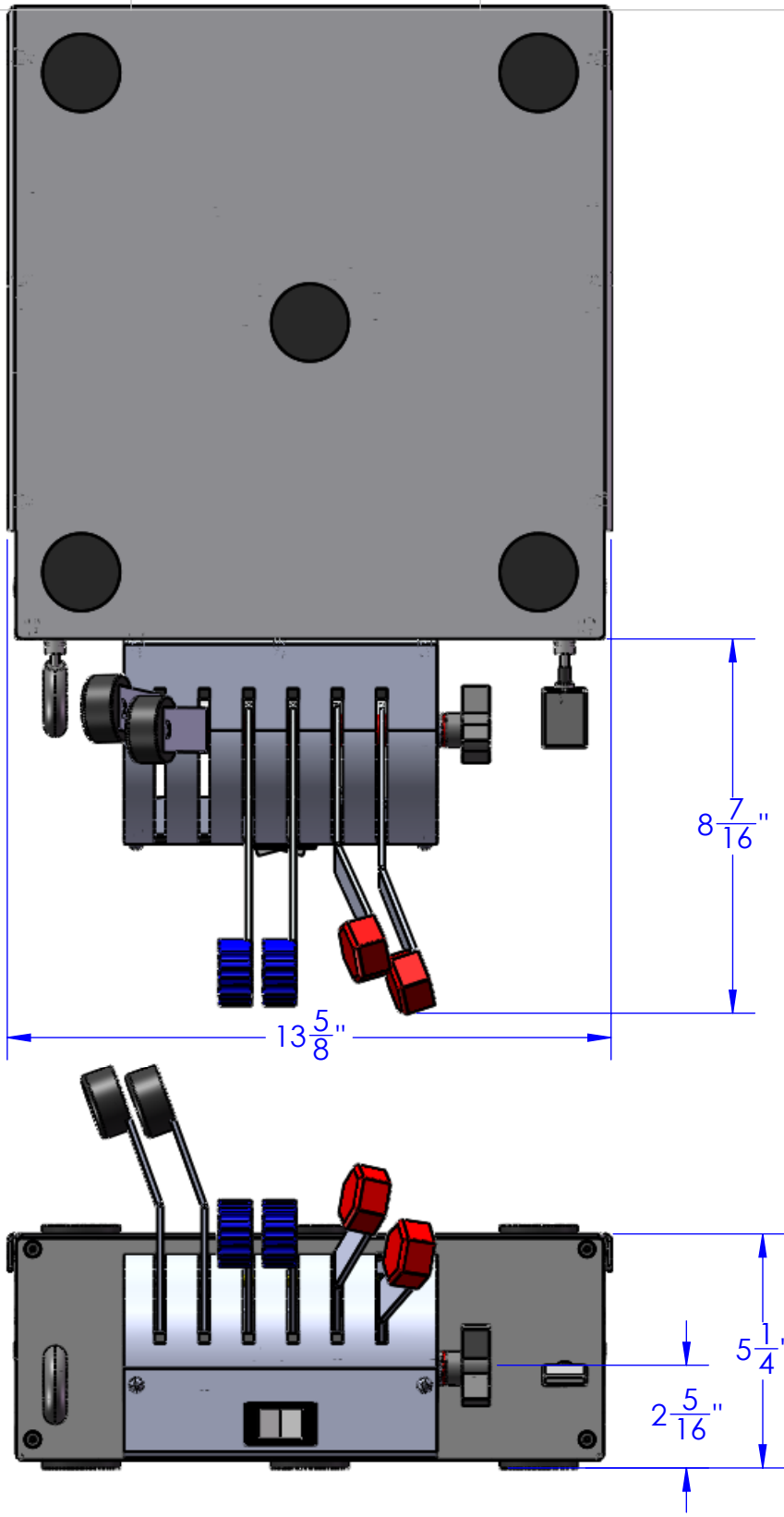
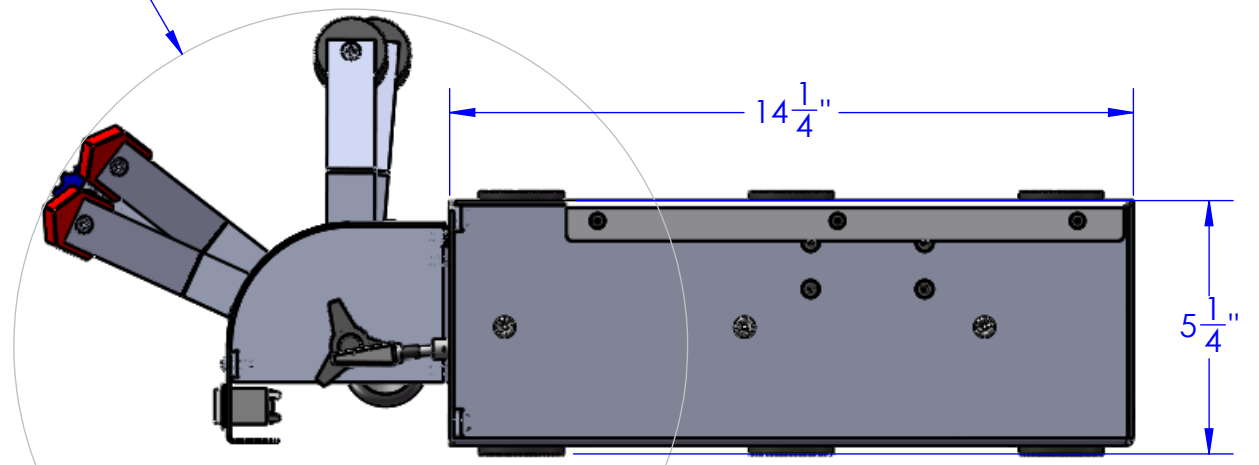




Alloy TH2 Outer Dimensions



2 Mounting Brackets included

$\phi 14 \frac{1}{16}$ "



MATERIAL:	PROJECT: Alloy			2301 E. ST. ELMO RD. SUITE 100 AUSTIN, TX 78744	
FINISH: -	DRAWN	XXXX	XXXX	 TITLE: Alloy Outer Dimensions	
	CHECKED	-	-		
	MFG APPR.	-	-		
PROPRIETARY AND CONFIDENTIAL THE INFORMATION CONTAINED IN THIS DRAWING IS THE SOLE PROPERTY OF REDBIRD FLIGHT SIMULATIONS, INC. ANY REPRODUCTION IN PART OR AS A WHOLE WITHOUT THE WRITTEN PERMISSION OF REDBIRD FLIGHT SIMULATIONS, INC. IS PROHIBITED.			UNLESS OTHERWISE SPECIFIED DIMENSIONS ARE IN INCHES; INTERPRET DRAWING PER ANSI Y14.5 1994		
TOLERANCES: $\angle \pm .5^\circ$ X.X $\pm .03$ X.XX $\pm .01$ X.XXX $\pm .005$					SIZE B DWG. NO. XXXX REV -
			SCALE: 1:4		SHEET 3 OF 5