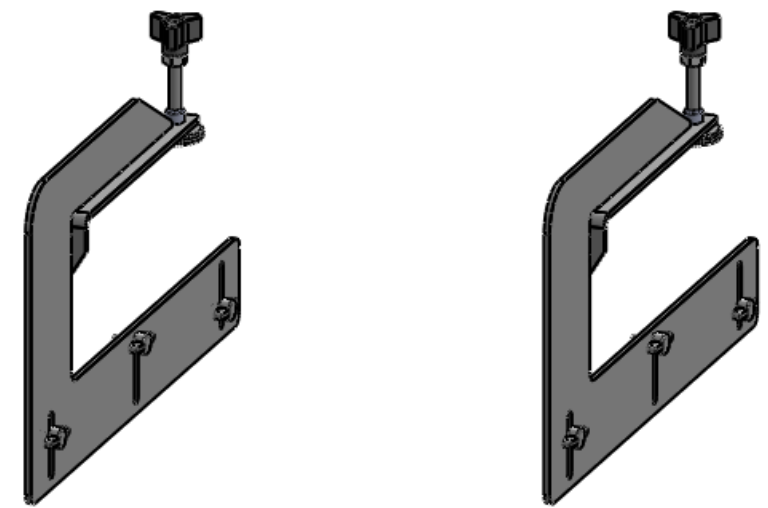
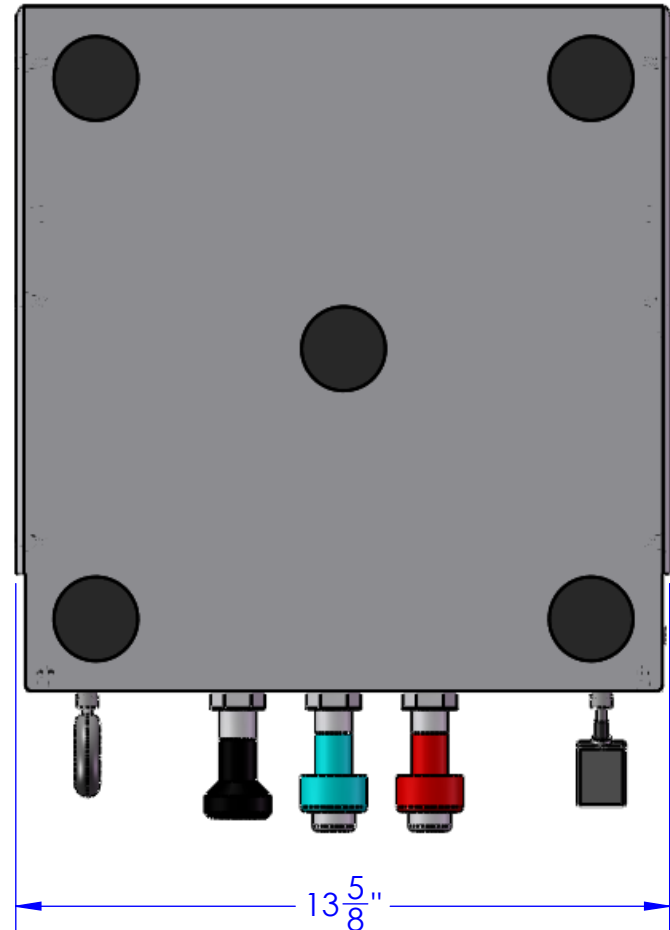


8 7 6 5 4 3 2 1

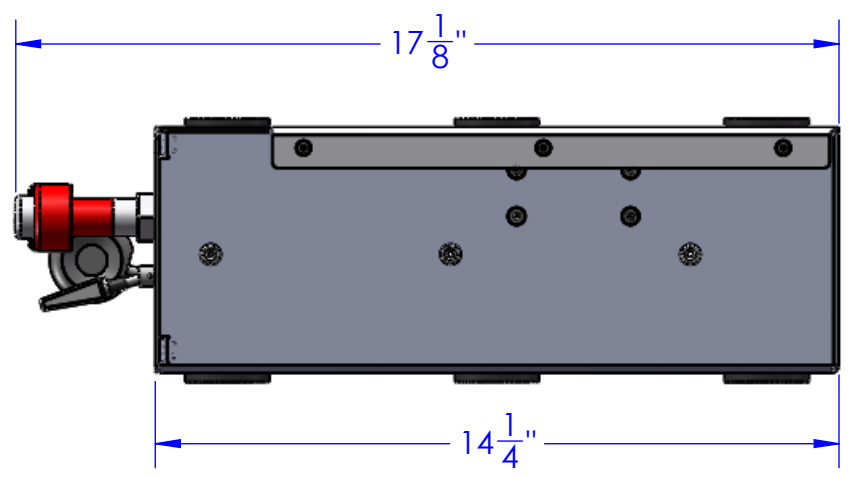
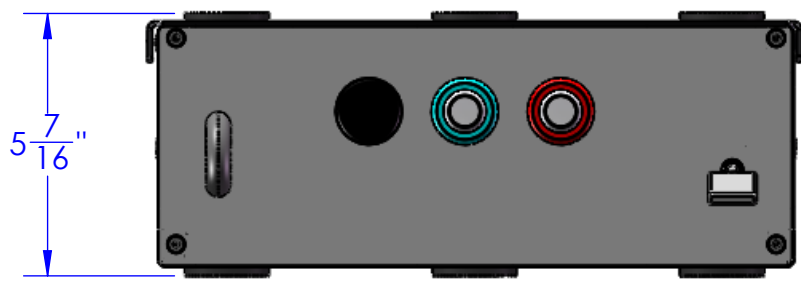
D
C
B
A



D
C
B
A



2 Mounting Brackets included

Alloy TH1 Outer Dimensions



MATERIAL:	PROJECT: Alloy		 2301 E. ST. ELMO RD. SUITE 100 AUSTIN, TX 78744
FINISH: -	DRAWN: XXXX	XXXX	
PROPRIETARY AND CONFIDENTIAL THE INFORMATION CONTAINED IN THIS DRAWING IS THE SOLE PROPERTY OF REDBIRD FLIGHT SIMULATIONS, INC. ANY REPRODUCTION IN PART OR AS A WHOLE WITHOUT THE WRITTEN PERMISSION OF REDBIRD FLIGHT SIMULATIONS, INC. IS PROHIBITED.	UNLESS OTHERWISE SPECIFIED DIMENSIONS ARE IN INCHES; INTERPRET DRAWING PER ANSI Y14.5 1994		SIZE: B
	TOLERANCES: $\angle \pm .5^{\circ}$ X.X $\pm .03$ X.XX $\pm .01$ X.XXX $\pm .005$		DWG. NO.: XXXX
			REV: -
SCALE: 1:4			SHEET 2 OF 5

8 7 6 5 4 3 2 1